

- FID1
- Fiducial
- FID2
- Fiducial

Current Sensing 1



Fichier: current\_sense\_1.kicad\_sch

Current Sensing 2



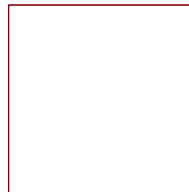
Fichier: current\_sense\_1.kicad\_sch

Current Sensing 3

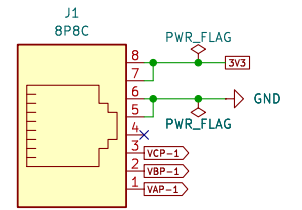


Fichier: current\_sense\_1.kicad\_sch

ESP32-C6 reference



Fichier: ESP32-C6.kicad\_sch



Sheet: /  
File: mainboard.kicad\_sch

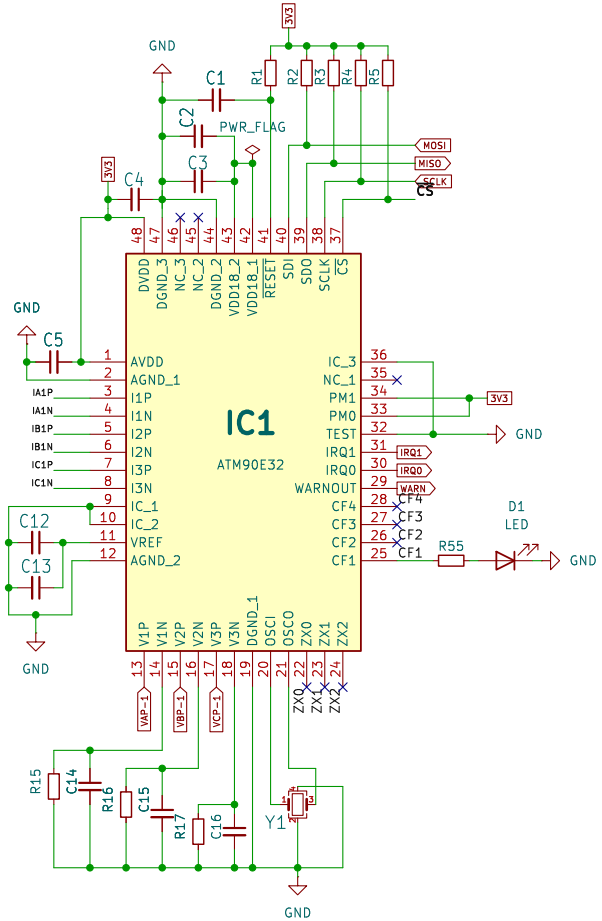
**Title:**

Size: A4 Date:

KiCad E.D.A. 8.0.1

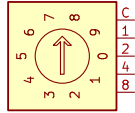
**Rev:**  
Id: 1/5

# ATM90E32

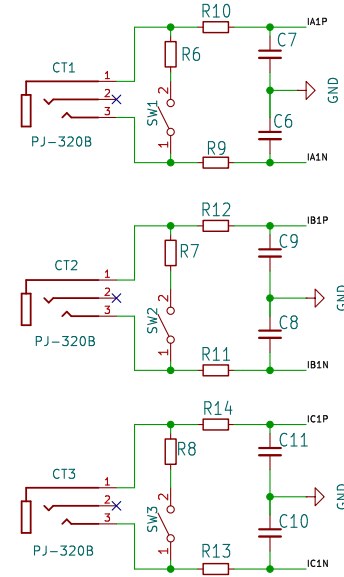


## Address Selection

SW10  
SW\_Coded\_SH-7040



## Current Sensing CT



Sheet: /Current Sensing 1/  
File: current\_sense\_1.kicad\_sch

**Title:**

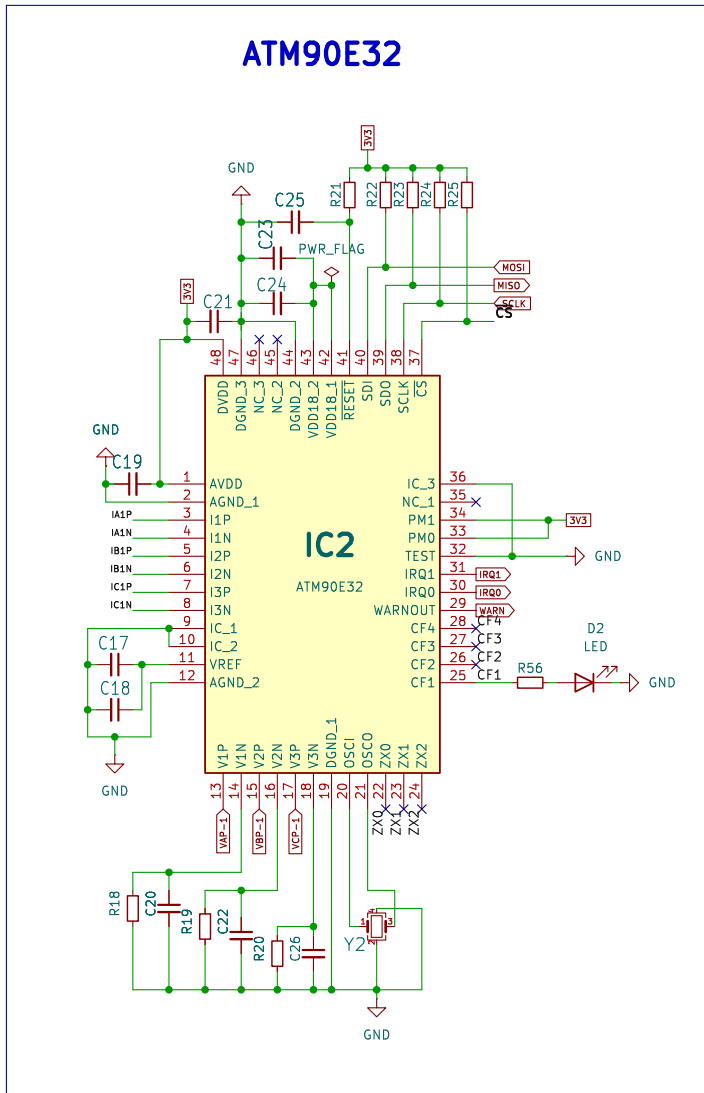
Size: A4 Date:

KiCad E.D.A. 8.0.1

**Rev:**

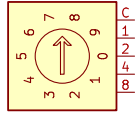
Id: 2/5

# ATM90E32

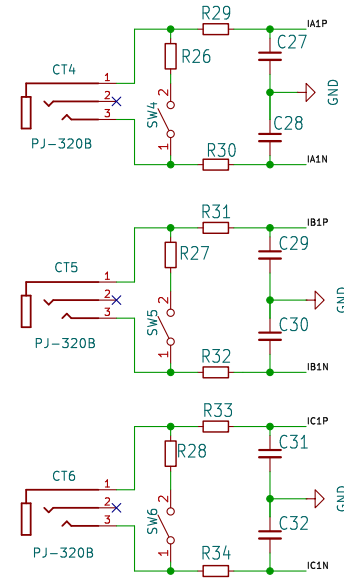


## Address Selection

SW11  
SW\_Coded\_SH-7040



## Current Sensing CT



Sheet: /Current Sensing 2/  
File: current\_sense\_1.kicad\_sch

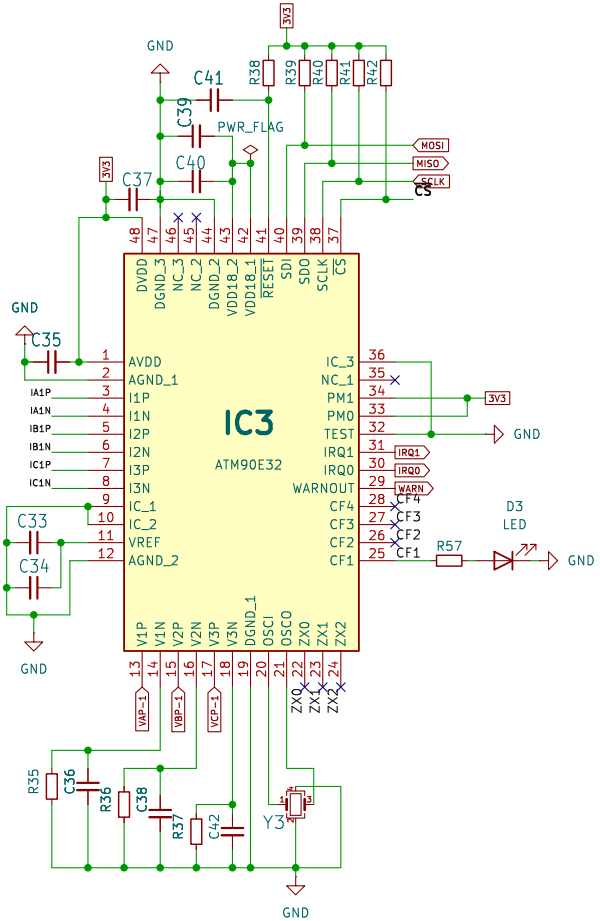
**Title:**

Size: A4  
KiCad E.D.A. 8.0.1

Date:

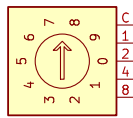
Rev:  
Id: 3/5

# ATM90E32

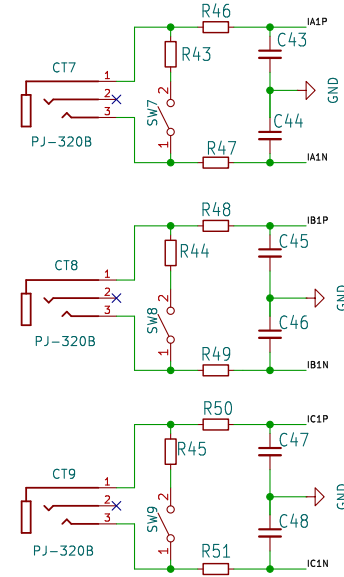


## Address Selection

SW12  
SW\_Coded\_SH-7040



## Current Sensing CT



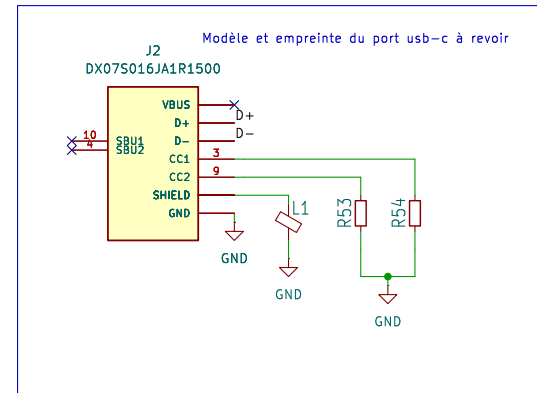
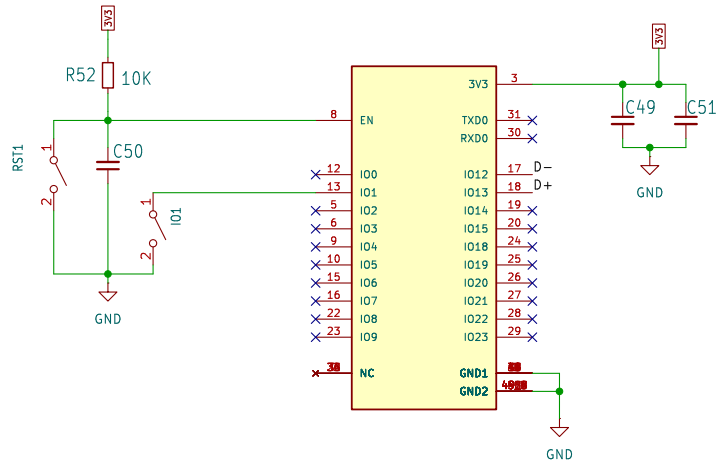
Sheet: /Current Sensing 3/  
File: current\_sense\_1.kicad\_sch

**Title:**

Size: A4 Date:

KiCad E.D.A. 8.0.1

**Rev:**  
Id: 4/5



Sheet: /ESP32-C6 reference/  
File: ESP32-C6.kicad\_sch

**Title:**

Size: A4  
KiCad E.D.A. 8.0.1

Date:

**Rev:**  
Id: 5/5